

# //LASER SCANNERS

## HIGH OPERATING RANGES WITH LARGE VIEWING ANGLES

Laser scanners detect their environment using a quickly-rotating laser measurement beam. This allows objects to be detected over large distances with very large viewing angles and also enables contours to be measured.

### /// ROD 4



Contactless laser scanners for object detection and contour measurement. A laser measurement beam is deflected a rotating mirror and covers an area of 190° with a radius of up to 65 m. The measurement contour is output via Ethernet or a serial interface. In addition, there are models for object detection in up to 4 simultaneous detection fields.

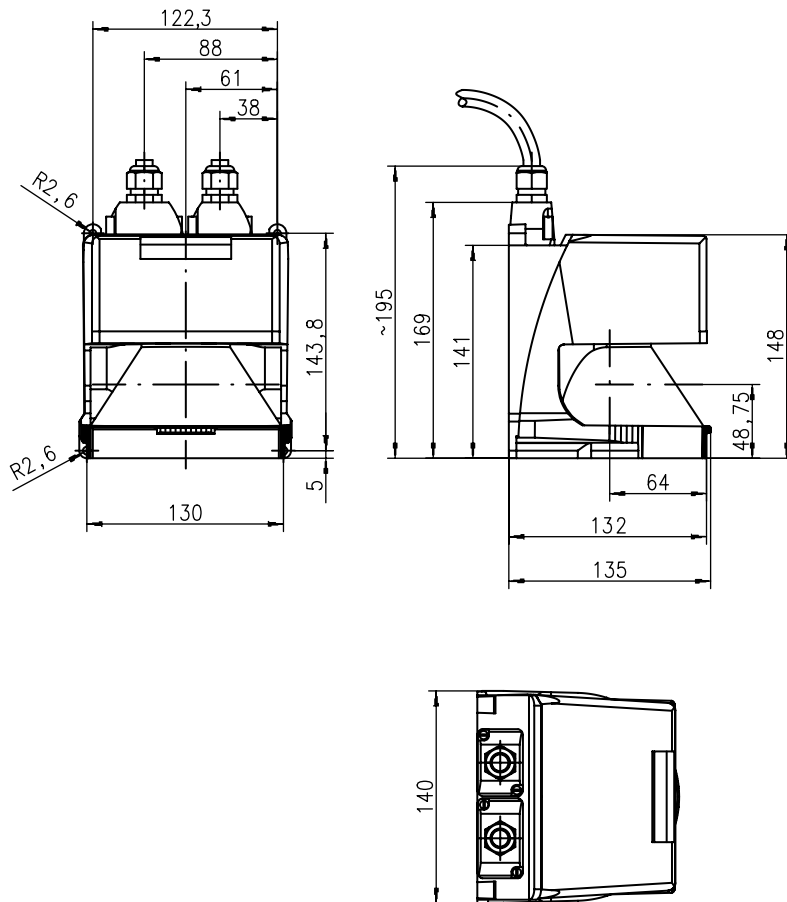


#### Benefits:

- Measurement range 0 ... 65 m, radius of detection field up to 50 m
- 7 configurable and selectable detection field pairs (near and far) for object detection
- Simple device exchange without PC by means of config. connector
- Reference contour for presence/absence checks of objects
- Independent, simultaneous monitoring of 4 detection fields
- Interference suppression in the event of particles in the air
- ROD 4-36 with heating and ROD 4-38 with heating, dust-insensitive version

Part no.	Part description	Measurement range	Light source Laser protection class	Scanning rate	Digital switching outputs	Number of connections	Interface	Special design
50106481	ROD4 plus	0 ... 65,000 mm	Laser, infrared, 1	25 scans/s	4x	4x	Ethernet, RS 232, RS 422	Warning output
50110238	ROD4-30	0 ... 65,000 mm	Laser, infrared, 1	25 scans/s	4x	2x	RS 232, RS 422	Warning output
50110666	ROD4-36	0 ... 65,000 mm	Laser, infrared, 1	25 scans/s	4x	2x	RS 232, RS 422	Heating, warning output
50113226	ROD4-50 plus	0 ... 65,000 mm	Laser, infrared, 1	50 scans/s		4x	Ethernet, RS 232, RS 422	Warning output
50106480	ROD4-08 plus	0 ... 25,000 mm	Laser, infrared, 1	25 scans/s	4x	4x	Ethernet, RS 232, RS 422	Dust suppression, heating, warning output
50110667	ROD4-38	0 ... 25,000 mm	Laser, infrared, 1	25 scans/s	4x	2x	RS 232, RS 422	Dust suppression, heating, warning output
50129795	ROD4-56 plus	0 ... 25,000 mm	Laser, infrared, 1	50 scans/s		4x	Ethernet, RS 232, RS 422	Heating, warning output
50113225	ROD4-58 plus	0 ... 25,000 mm	Laser, infrared, 1	50 scans/s		4x	Ethernet, RS 232, RS 422	Dust suppression, heating, warning output

## Dimensioned drawings: ROD 4



ROD 4 laser scanner

Switching  
sensorsMeasuring  
sensorsProducts for  
safety at work

Identification

Data transmission /  
Control componentsIndustrial image  
processing

Accessories

## ACCESSORIES: ROD 4

## Connection technology

## Connection cables

Part no.	Part description	Connection 1	No. of pins	Cable length	Sheathing material
50108138	KB-ROD4-CP-5000	Sub-D, male, axial	15-pin	5,000 mm	PVC
50106976	KB-014S-5000-14	Connector, M16, angled, female	14-pin	5,000 mm	PVC
50104590	K-D M12A-8P-5m-PUR	Connector, M12, axial, female	8-pin	5,000 mm	PUR

Further connection cables can be found on our website

## Interconnection cables

Part no.	Part description	Connection 1	Connection 1, no. of pins	Connection 2	Connection 2, no. of pins	Cable length	Interface	Sheathing material
50038069	KB-ROD4PC-3000	Sub-D, male, axial	9-pin	Sub-D, male, axial		3,000 mm		PVC
50106881	KB-ROD4 plus-5000	Sub-D, male, axial	9-pin	Connector, M12, axial, male	5-pin	5,000 mm		PUR
50130632	KSS ET-M12-4A-RJ45-A-P7-010	Connector, M12, axial, male	4-pin	RJ45		1,000 mm	Ethernet	PUR
50109881	KB ET-5000-SA-RJ45	Connector, M12, axial, male	4-pin	RJ45		5,000 mm	Ethernet	PUR
50110677	KB-RS232-USB	Sub-D, male, axial	9-pin	USB		1,000 mm	RS 232, USB	PVC

Further interconnection cables can be found on our website

## Mounting systems

## Other mounting systems

Part no.	Part description	Design	Fastening at device	Fastening at system	Material
50038066	ROD4-MS	Mounting system	Screw type	Through-hole mounting	Metal

Further mounting systems can be found on our website